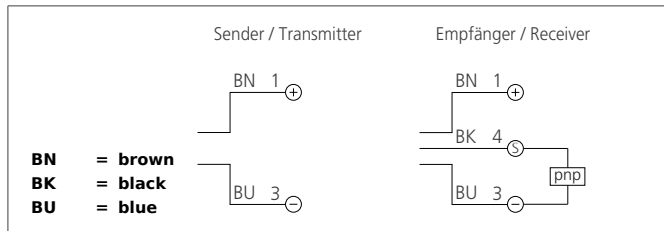


OESV 19 K 2000 P3K

Through Beam Sensor, Transmitter and Receiver

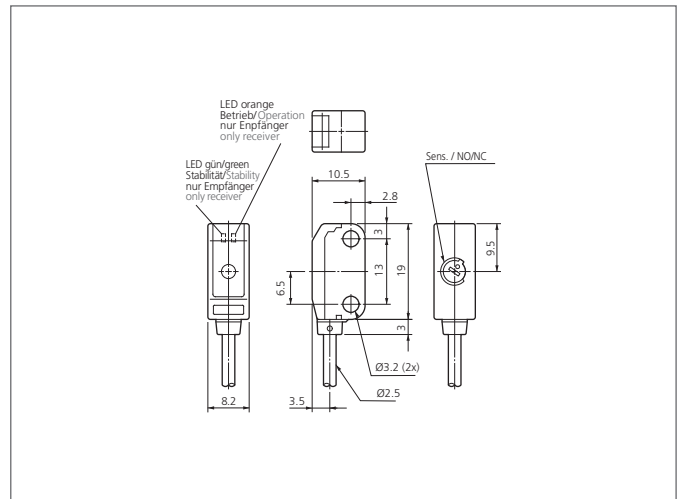
- Compact design
- Red light
- Sensitivity adjustable
- High resolution, operating frequency



Safety instructions

The Instruments are not to be used for safety applications, in particular applications in which safety of persons depends on proper operation of the instruments.

These instruments shall exclusively be used by qualified personnel.



TECHNICAL INFORMATION (typ.)		+20°C, 24V DC
Operating principle		Through beam sensor
Evaluation		digital
Size		19 x 10 x 8 mm (Dimensions)
Design		cuboid design
Emitted light		Red, 660 nm, clocked
Service voltage		12 ... 24 V DC
Internal power consumption		< 15 mA
Operating distance		2.000 mm
Sensitivity adjustment		potentiometer
Switching output		pnp, 50 mA, NO/NC, switchable
Display		LED: green - operation, yellow - output
Voltage drop		< 1,0 V
Switching frequency		1.000 Hz
Response-/release time		< 0,5 ms / < 0,5 ms
Ambient temperature		-25 ... +55 °C
Ambient light immunity		3 kLx
Insulation voltage endurance		1.000 V
Protection class		IP 67
Protection degree		III, operation on protective low voltage
Casing material		plastics
Material		plastic (Window)
Connection		Cable, 2 m, flying leads